

H. J. H.

EQUIP. TYPE *R390A/URR* EXP. NO.

COL 306 0348 00

NOTICE: WHEN GOVERNMENT DRAWINGS, SPECIFICATIONS, OR OTHER DATA ARE USED FOR ANY PURPOSE OTHER THAN IN CONNECTION WITH A DEFINITELY RELATED GOVERNMENT PROCUREMENT OPERATION, THE UNITED STATES GOVERNMENT THEREBY INCURS NO RESPONSIBILITY FOR ANY OBLIGATION WHATSOEVER, AND THE FACT THAT THE GOVERNMENT MAY HAVE FORMULATED, FURNISHED, OR IN ANY WAY SUPPLIED THE SAID DRAWINGS, SPECIFICATIONS, OR OTHER DATA IS NOT TO BE REGARDED AS IMPLICATION OR OTHERWISE AS IN ANY MANNER LICENSING THE HOLDER OR ANY OTHER PERSON OR CORPORATION, OR CONFERRING ANY RIGHTS OR PERMISSION TO MANUFACTURE, USE, OR SELL ANY PATENTED INVENTION THAT MAY IN ANY WAY BE RELATED THEREIN.

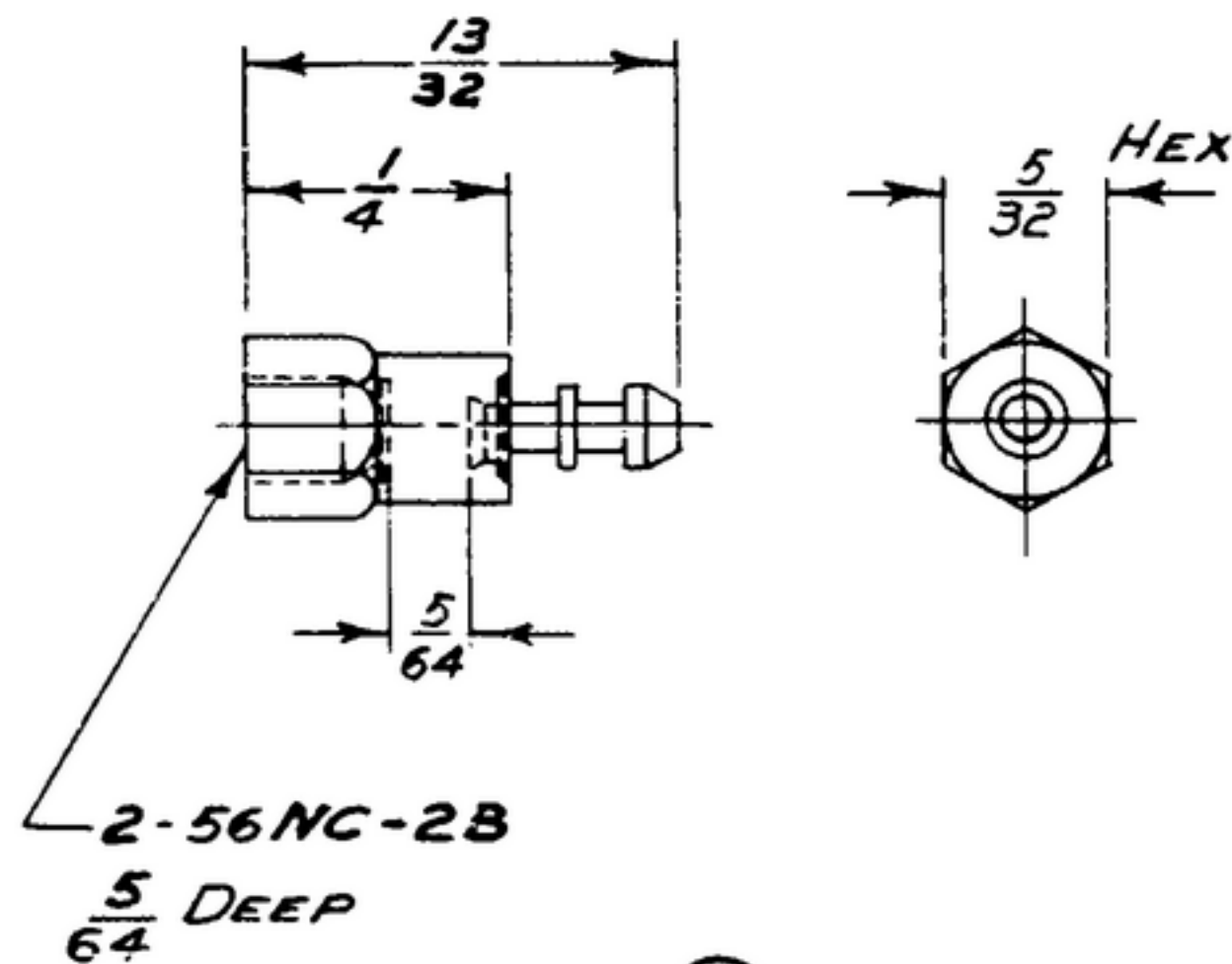
THIS DOCUMENT HAS BEEN PURCHASED BY THE GOVERNMENT AND MAY BE REPRODUCED AND USED IN CONNECTION WITH ANY GOVERNMENT PROCUREMENT OR MAINTENANCE OPERATION.

* FOR INFORMATION ONLY. CONTRACTOR MAY AT HIS OPTION DEVIATE FROM THESE PROCESS DETAILS.

REVISIONS

*SWE APPROVAL	
SYM	PR10042/10
B4	CA 84693

SYM	DESCRIPTION	DATE	APPROVAL
A3	A1 - ADDED APPL. SM-D-343620. A2 - WAS M 262; A3 - WAS MIL-P-14;	6 NOV 59	4242B-PC-59-AI-51 REV'D. PME
B4	B1 - IN NOTES PART NO. 4D4-A4 WAS MT103A-12; B2 - 2 ADDED; B3 - 3 MATERIALS AND FINISHES ADDED; B4 - ADDED FINISH (2 PLACES)	5 APRIL 60	4242B-PC-59 REV'D PME



NOTES:

1. DART MAY BE 4D4-A4 AS SUPPLIED BY WHITSO, INC., SCHILLER PARK, ILLINOIS, OR EQUAL, PROVIDING IT MEETS THE FOLLOWING REQUIREMENTS & DIMENSIONS SHOWN.

2. DESCRIPTION: INSULATED TUBBET TYPE TERMINAL WITH TAPPED INSERT.

3. MATERIALS AND FINISHES:
 TERMINAL INSERT: BRASS, FINISH M317 PER SPEC MIL-F-14072.
 MOUNTING INSERT: BRASS, FINISH M262 A, PER SPEC MIL-F-14072
 INSULATING MATERIAL: MOLDED MELAMINE PER SPEC MIL-M-14, TYPE MME.

COLLINS PART NO.	ITEM	QTY	PART NO.	DESCRIPTION	MATL	MATL SPEC
LIST OF MATERIAL						
COLLINS PART NO. 559-0225-002						

DRAWN <i>ECS</i>		CHECKED <i>[Signature]</i>	APPROVED	GOLLINS RADIO CO. CEDAR RAPIDS, IOWA 14214-PH-51-93	TERMINAL-INSULATED	DEPARTMENT OF THE ARMY SIGNAL CORPS ENGINEERING LABORATORIES FORT MONMOUTH NEW JERSEY
UNLESS OTHERWISE SPECIFIED: DECIMAL DIMENSIONS INCLUDING HOLE SIZES MAY VARY ±.005 FRACTIONAL DIMENSIONS INCLUDING HOLE SIZES MAY VARY ±1/64 MACHINED ANGLES MAY VARY ±.1° SHEARED ANGLES MAY VARY ±.25° BROKEN ANGLES MAY VARY ±.1° ECCENTRICITY BETWEEN ANY DIAMETERS ON THE SAME CENTERLINE SHALL NOT EXCEED .010 TOTAL INDICATOR READING. ALL DIMENSIONS ARE FINISH DIMENSIONS INCLUDING APPLIED FINISH AND ARE GIVEN IN INCHES.			REVIEWED PME	APPROVED HLY PME		
SM-D-343620		559-0225-002-2 SM-D-249275 SC-DL-248775		DATE 17 JAN 56	SCALE 4/1	SM-B-249271
COLLINS NO.	QTY	NEXT ASSY	USED ON	APPLICATION		